

Springloaded Pressure Regulator

Model – BRF25S

Description

The BRF25S springloaded pressure regulator is designed for tankblanketing. The regulator reduces the supply pressure on the inlet side to a controlled pressure on the outlet side.

Specifications

Inlet pressure	16 bar max.
Adjustable	0-800 mbar
Connections	DN25 flanges EN 1092-1 or 1" flanges ANSI B16.5
Seat diameter	7,5 mm

Fluids

This pressure regulator is suitable for gases.



Materials

The regulator is made out of barstock stainless steel material.

Body	ss 316L
Springhousing	ss 316L
Valve	ss 316L
Seat	NBR, FKM or EPDM
Setspring	ss 302
O-rings / diaphragm	NBR, FKM or EPDM

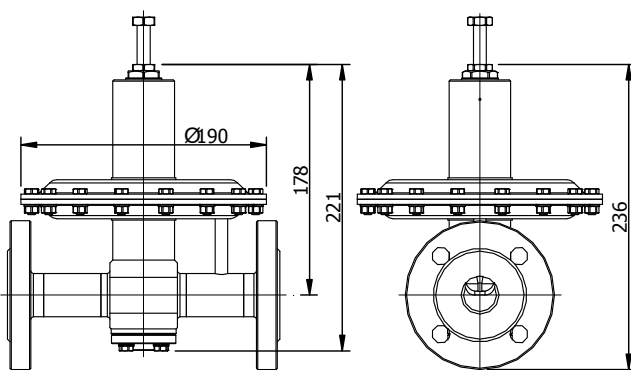
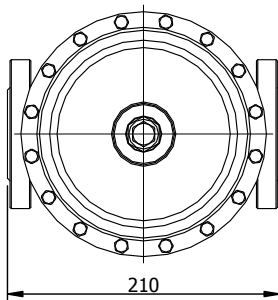
Other materials available on request.

All metal parts are marked with a traceable batch number. Material certificates are available on request.

Temperature

The general temperature range of the regulator is -50 / 200 °C, but could be limited due to the used sealing materials.

NBR seals	-35 / 130 °C
FKM seals	-20 / 200 °C
EPDM seals	-50 / 120 °C



Springloaded Pressure Regulator

Model – BRF25S

Technical details

- all regulators tested before delivery
- leak-tight seat design
- all parts cleaned and degreased
- PED classification SEP
- ATEX classification EXII 3GD

Although this regulator has a leak-tight seat, the regulator should not be used as a shutt-off valve.

Spare parts kits are available for the regulator.

Adjusting the regulator

The regulator comes standard with a setscrew.
Optional a locking cap can be supplied.

Options

Dutch Regulators supplies the regulators to your needs. When you have the need for special features or options, Dutch Regulators is the right address.

Design pressures

The regulator has a design pressure of 16 bar for the inlet side and a design pressure of 6 bar for the outlet side.

Depending on temperature or special wishes, the design pressure on the regulator could be different.

Typenumber explanation

Example : BRF25S – 16D50 – SSVV

model	design pressure	connections	adjustable	material	seat	seals	options
BRF25S	16 : 16 bar	D : DIN	10 : 5-10 mbar	SS SS 316L	N nitrile	N nitrile	L locking cap
		EN 1092-1	50 : 10-50 mbar		NBR	NBR	
	6 bar for outlet side	A : ANSI	200 : 20-200 mbar	V viton	V viton		
		ANSI B16.5	800 : 80-800 mbar	FKM	FKM		
			E EPDM	E EPDM	xxx codes for special option		

All regulators are marked with an ID number, the exact configuration of the regulator is stored in this ID number. Always mention the ID number in case you need spare parts.