

Springloaded Pressure Regulator

Model – GRT8S

Description

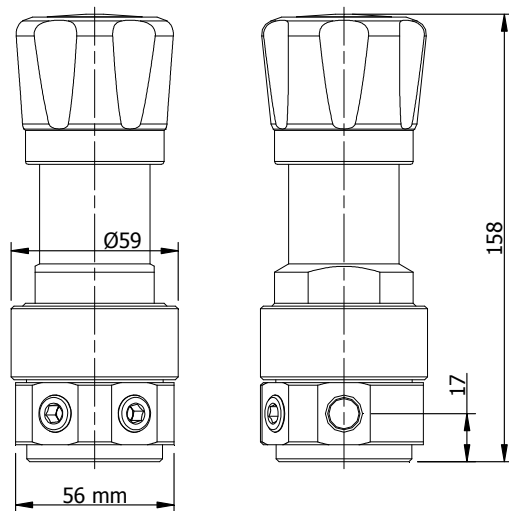
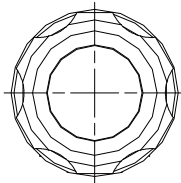
The GRT8S springloaded pressure regulator reduces the supply pressure on the inlet side to a controlled pressure on the outlet side.

Specifications

Inlet pressure	420 or 700 bar max.
Adjustable	0-420 (0-700) bar
Connections	1/4" NPT
Seat diameter	2,5 mm
Cv / Kv	Cv 0.1 / Kv 0.08

Fluids

This pressure regulator is suitable for gases and liquids.



Materials

The regulator is made out of barstock stainless steel material.

Body	ss 316L
Springhousing	ss 316L
Valve	ss 316L
Seat	PCTFE (kel-f)
Setspring	ss 302
O-rings / diaphragm	NBR, FKM or EPDM

Other materials available on request.

All metal parts are marked with a traceable batch number. Material certificates are available on request.

Temperature

The general temperature range of the regulator is -50 / 200 °C, but could be limited due to the used sealing materials.

KEL-F	-15 / 60 °C
PEEK	-50 / 200 °C
NBR seals	-35 / 130 °C
FKM seals	-20 / 200 °C
EPDM seals	-50 / 120 °C

Springloaded Pressure Regulator

Model – GRT8S

Technical details

- all regulators tested before delivery
- leak-tight seat design
- all parts cleaned and degreased
- PED classification SEP
- ATEX classification Ex II 3G

Although this regulator has a leak-tight seat, the regulator should not be used as a shutt-off valve.

Spare parts kits are available for the regulator.

Adjusting the regulator

The regulator comes standard with a knob. The threadpiece below the knob is designed for frequent adjustment.



Options

Dutch Regulators supplies the regulators to your needs. When you have the need for special features or options, Dutch Regulators is the right address.

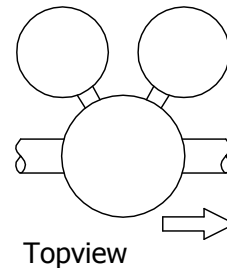
Design pressures

The regulator has a design pressure of 420 or 700 bar, where the design pressure applies for the inlet and outletside. PEEK seat is required for 700 bar inletpressure.

Depending on temperature or special wishes, the design pressure on the regulator could be different.

Gaugeports

The regulator has standard two 1/4" NPT gaugeports to measure the inlet –and outlet pressures.



Panelmounting

A panelmounting ring is available for the regulator.

Typenumber explanation

Example : GRT8S - 420N280 – SSKN

model	design pressure	connections	adjustable	material	seat	seals	options
GRT8S	420 : 420 bar	N : 1/4" NPT	20 : 0-20 bar	SS SS 316L	K kel-f (pctfe)	N nitrile NBR	S self-venting F filter
	700 : 700 bar		100 : 0-100 bar				
			280 : 0-280 bar		E EPDM	xxx codes for special option	
			420 : 0-420 bar				
			700 : 0-700 bar				

All regulators are marked with an ID number, the exact configuration of the regulator is stored in this ID number. Always mention the ID number in case you need spare parts.