

Springloaded Pressure Regulator

Model – BRT15S

Description

The BRT15S springloaded pressure regulator is designed for low outlet pressures in the millibar range. The regulator reduces the supply pressure on the inlet side to a controlled pressure on the outlet side.

Specifications

Inlet pressure	6 bar max.
Adjustable	50-800 mbar
Connections	1/2" BSPP
Seat diameter	6 mm

Fluids

This pressure regulator is suitable for gases.



Materials

The regulator is made out of barstock stainless steel material.

Body	ss 316L
Springhousing	ss 316L
Valve	ss 316L
Seat	NBR, FKM or EPDM
Setspring	ss 302
O-rings	NBR, FKM or EPDM
Diaphragm	PTFE

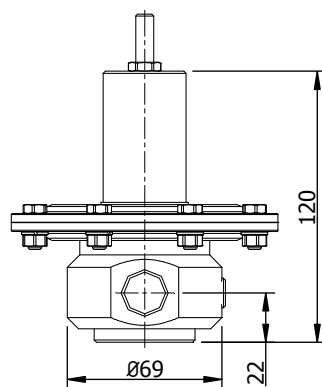
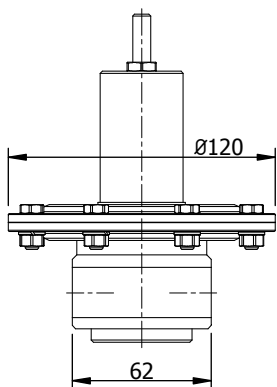
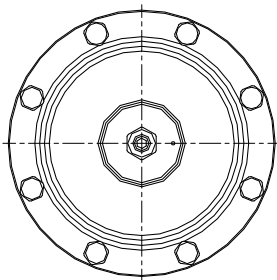
Other materials available on request.

All metal parts are marked with a traceable batch number. Material certificates are available on request.

Temperature

The general temperature range of the regulator is -50 / 200 °C, but could be limited due to the used sealing materials.


NBR seals	-35 / 130 °C
FKM seals	-20 / 200 °C
EPDM seals	-50 / 120 °C



Springloaded Pressure Regulator

Model – BRT15S

Technical details

- all regulators tested before delivery
- leak-tight seat design
- all parts cleaned and degreased
- PED classification SEP
- ATEX classification  II 3G

Although this regulator has a leak-tight seat, the regulator should not be used as a shutt-off valve.

Spare parts kits are available for the regulator.

Adjusting the regulator

The regulator comes standard with a setscrew. Optional a locking cap can be supplied.

Options

Dutch Regulators supplies the regulators to your needs. When you have the need for special features or options, Dutch Regulators is the right address.

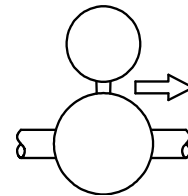
Design pressure

The regulator has a design pressure of 6 bar for the inlet side and outlet side.

Depending on temperature or special wishes, the design pressure on the regulator could be different.

Gaugeports

The regulator has standard one 1/4" NPT gaugeport to measure the controlled setpressure.



Standard
Outlet gaugeport

Typenumber explanation

Example : BRT15S – 6B200 – SSVV

model	design pressure	connections	adjustable	material	seat	seals	options
BRT15S	6 : 6 bar	B : 1/2" BSPP	200 : 50-200 mbar 800 : 80-800 mbar	SS SS 316L	N nitrile	N nitrile	L locking cap
					NBR	NBR	
					V viton	V viton	
					FKM	FKM	
					E EPDM	E EPDM	
K Kalrez	T PTFE	xxx codes for special option					
					FFPM		

All regulators are marked with an ID number, the exact configuration of the regulator is stored in this ID number. Always mention the ID number in case you need spare parts.