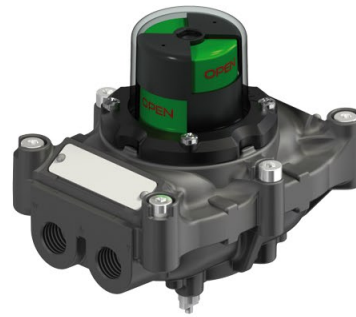


GD SERIES

VALVE MONITORING PRODUCTS

Technical data

Housing material	Copper free aluminium or AISI316L
Aluminium surface protection	Alodine
Aluminium paint	Polyester powder coated Dark Grey colour
Shaft AISI316L	Hardened AISI316L Stainless steel
Seal	Silicone rubber
Visual indicator	Polycarbonate
Visual indicator for ambient temp.	-60°C Tempered glass
Temperature range	-25°C + 85°C (-60°C / +105°C option)
IP degree	IP66 - IP68
Switch /sensor Type	ES-ED-MS-MD-PI-PN-TX-TY



Dimensional drawing (mm)

