

# Springloaded Pressure Regulator

Model – GRT15S-50

## Description

The GRT15S springloaded pressure regulator reduces the supply pressure on the inlet side to a controlled pressure on the outlet side.

## Specifications

Inlet pressure	50 bar
Adjustable	0-50 bar
Connections	1/2" NPT or BSPP
Seat diameter	7 mm
Cv / Kv	Cv 1.0 / Kv 0.85

## Fluids

This pressure regulator is suitable for gases and liquids.



## Materials

The regulator is made out of barstock stainless steel material.

Body	ss 316L
Springhousing	ss 316L
Valve	ss 316L
Seat	NBR, FKM or EPDM
Valve spring	ss 316
Setspring	ss 302
O-rings / diaphragm	NBR, FKM or EPDM

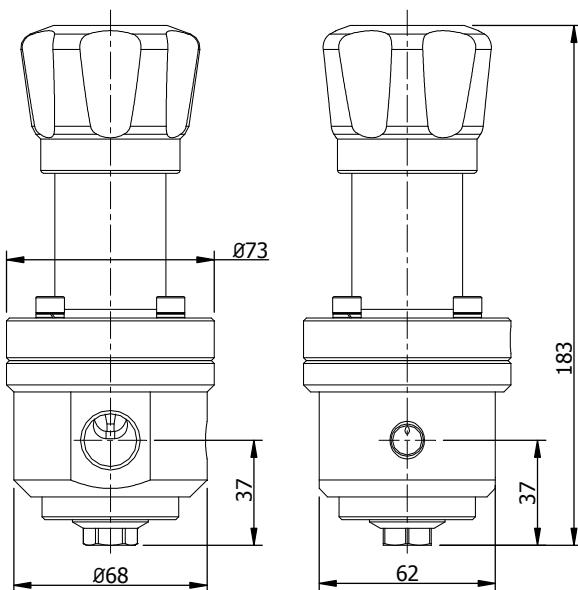
Other materials available on request.

All metal parts are marked with a traceable batch number. Material certificates are available on request.

## Temperature

The general temperature range of the regulator is -50 / 200 °C, but could be limited due to the used sealing materials.

NBR seals	-35 / 130 °C
FKM seals	-20 / 200 °C
EPDM seals	-50 / 120 °C



# Springloaded Pressure Regulator

Model – GRT15S-50

## Technical details

- all regulators tested before delivery
- leak-tight seat design
- all parts cleaned and degreased
- PED classification SEP
- ATEX classification EXII 3GD

Although this regulator has a leak-tight seat, the regulator should not be used as a shutt-off valve.

Spare parts kits are available for the regulator.

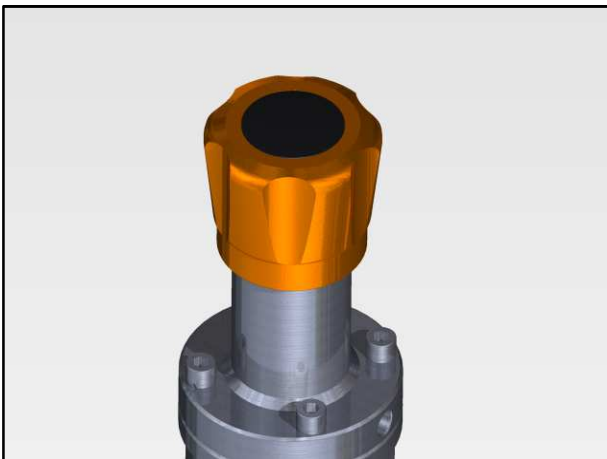
## Dependency

A character of the regulator is "dependency". The set-pressure will change, when you have a changing inletpressure.

- range 0-3 bar - 1:30
- range 0-8 bar - 1:30
- range 0-20 bar - 1:30
- range 0-50 bar - 1:10

## Adjusting the regulator

The regulator comes standard with a knob. The threadpiece below the knob is designed for frequent adjustment.



## Options

Dutch Regulators supplies the regulators to your needs. When you have the need for special features or options, Dutch Regulators is the right address.

### Standard options

- gauge ports
- locking cap or an adjustment knob

### Special options

- other seal materials on request
- other body materials on request
- material according to NACE MR0175

## Flow

The regulator has good flow performance over the complete range of inlet and outlet pressures. Always ask Dutch Regulators for advice, if this regulator is the best choice for your application.

Regulators that have a fixed setpoint, can be equipped with a locking cap.



# Springloaded Pressure Regulator

Model – GRT15S-50

## Section view

The section view of the regulator gives an idea of the internals of the regulator.

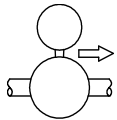
- diaphragm sensing up to 20 bar
- piston sensing with springrange 50 bar

## Gaugeports

The regulator has standard one 1/4" NPT gaugeport to measure the controlled setpressure.

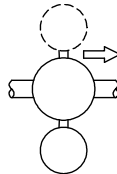
Option G1 and G2 are optional 1/4" NPT gaugeports, see for the position the pictures below.

On request it is possible to have other gaugeports.



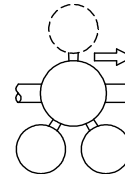
### Standard

Outlet gaugeport



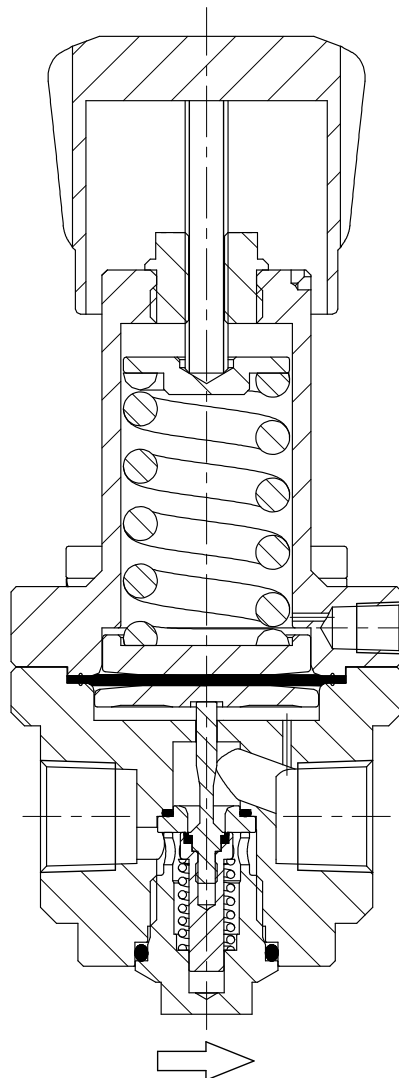
### Option G1

Extra  
Outlet gaugeport



### Option G2

Extra  
Inlet gaugeport  
and  
Outlet gaugeport



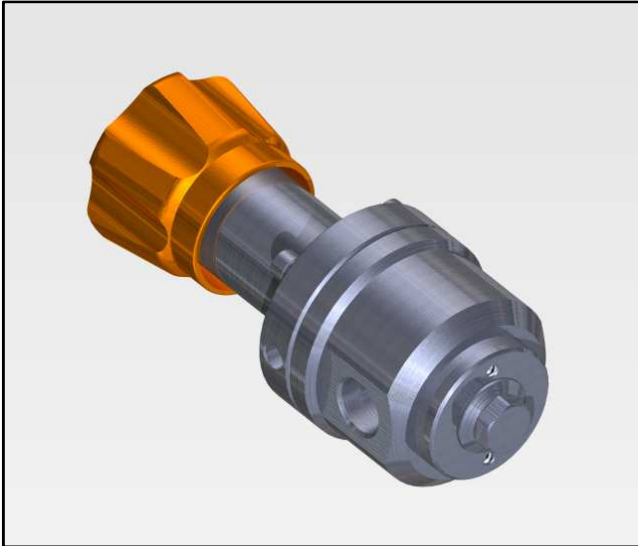
Section view of:  
GRT15S-50N8-SSV

# Springloaded Pressure Regulator

Model – GRT15S-50

## Mounting holes

The bottom of the regulator has two mounting holes M5 with 8 mm thread and a C-C distance of 35 mm.



## Design pressures

The regulator has a design pressure of 50 bar, where the design pressure applies for the inlet and outletside.

Depending on temperature or special wishes, the design pressure on the regulator could be different.

## Typenumber explanation

Example : GRT15S - 50N8 – SSV

model	design pressure	connections	adjustable	material	seat	seals	options		
<b>GRT15S</b>	<b>50</b> : 50 bar	<b>N</b> : 1/2" NPT	<b>3</b> : 0-3 bar	<b>SS</b> SS 316L	<b>N</b> nitrile NBR	<b>N</b> nitrile NBR	<b>G1</b> one extra gaugeport		
		<b>B</b> : 1/2" BSPP	<b>8</b> : 0-8 bar				<b>V</b> viton	<b>V</b> viton	<b>G2</b> two extra gaugeports
			<b>20</b> : 0-20 bar				FKM	FKM	
			<b>50</b> : 0-50 bar				<b>E</b> EPDM	<b>E</b> EPDM	<b>L</b> locking cap
							<b>xxx</b> codes for special option		

All regulators are marked with a unique ID number, the exact configuration of the regulator is stored in this ID number. Always mention the ID number in case you need spare parts.