

Springloaded Pressure Regulator

Model – GRT15S-16

Description

The GRT15S-16 springloaded pressure regulator reduces the supply pressure on the inletside to a controlled pressure on the outletside.

Specifications

Inlet pressure	16 bar max.
Adjustable	0-3 bar
Connections	1/2" NPT or BSPP
Seatdiameter	7 mm
Cv / Kv	Cv 1.0 / Kv 0.85

Fluids

This pressure regulator is suitable for gases only.



Materials

The regulator is made out of barstock stainless steel material.

Body	ss 316L
Springhousing	ss 316L
Valve	ss 316L
Seat	NBR, FKM or EPDM
Valve spring	ss 316
Setspring	ss 302
O-rings / diaphragm	NBR, FKM or EPDM

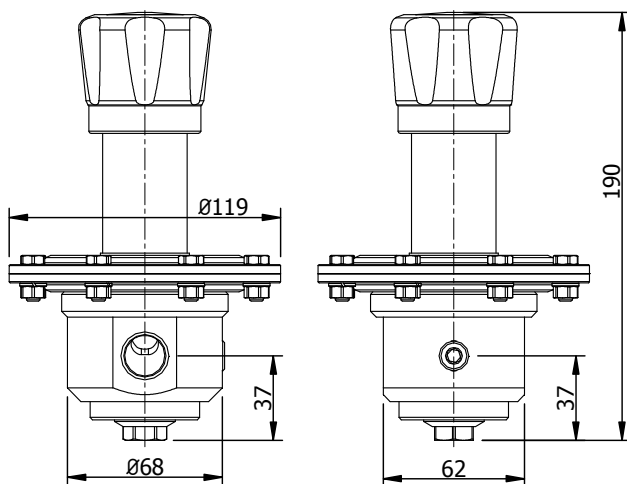
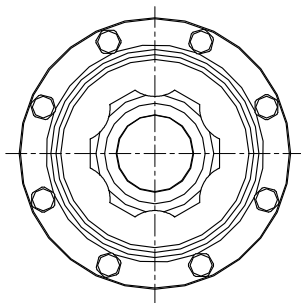
Other materials available on request.

All metal parts are marked with a traceable batch number. Material certificates are available on request.

Temperature

The general temperature range of the regulator is -50 / 200 °C, but could be limited due to the used sealing materials.

NBR seals	-35 / 130 °C
FKM seals	-20 / 200 °C
EPDM seals	-50 / 120 °C



Springloaded Pressure Regulator

Model – GRT15S-16

Features

The model is part of the GRT15S line and has a large diaphragm to handle pressures below 3 bar accurately.

For a leak-tight and accurate shut-off, the seat material is rubber.

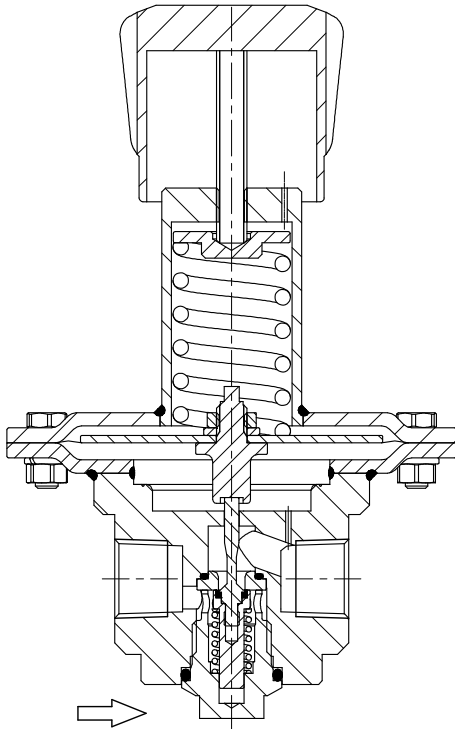
Options

See for the options the datasheet of the GRT15S-50.

Design pressure

The diaphragm covers come with a limitation of the design pressure.

The regulator has a design pressure of 16 bar for the inlet and outlet side.



Typenumber explanation

Example : GRT15S - 16N1 - SSNN

model	design pressure	connections	adjustable	material	seat	seals	options
GRT15S	16 : 16 bar	N : 1/2" NPT	1 : 0-1 bar	SS SS 316L	N nitrile	N nitrile	G1 one extra gaugeport
		B : 1/2" BSPP	3 : 0-3 bar		NBR	NBR	
					V viton	V viton	
				FKM	FKM		
				E EPDM	E EPDM	L locking cap	
							xxx codes for special option

All regulators are marked with a unique ID number, the exact configuration of the regulator is stored in this ID number. Always mention the ID number in case you need spare parts.