

Springloaded Pressure Regulator

Model – GRT20S-16

Description

The GRT20S-16 springloaded pressure regulator reduces the supply pressure on the inletside to a controlled pressure on the outletside.

Specifications

| | |
|----------------|------------------|
| Inlet pressure | 16 bar max. |
| Adjustable | 0-3 bar |
| Connections | 3/4" NPT or BSPP |
| Seatdiameter | 9.5 mm |
| Cv / Kv | Cv 1.8 / Kv 1.5 |

Fluids

This pressure regulator is suitable for gases only.



Materials

The regulator is made out of barstock stainless steel material.

| | |
|---------------------|------------------|
| Body | ss 316L |
| Springhousing | ss 316L |
| Valve | ss 316L |
| Seat | NBR, FKM or EPDM |
| Valve spring | ss 316 |
| Setspring | ss 302 |
| O-rings / diaphragm | NBR, FKM or EPDM |

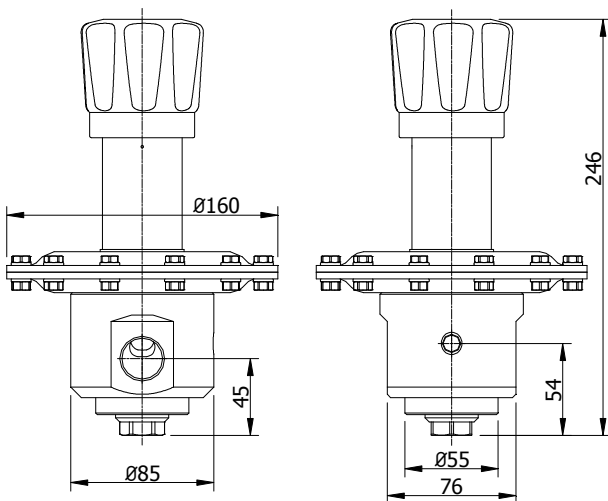
Other materials available on request.

All metal parts are marked with a traceable batch number. Material certificates are available on request.

Temperature

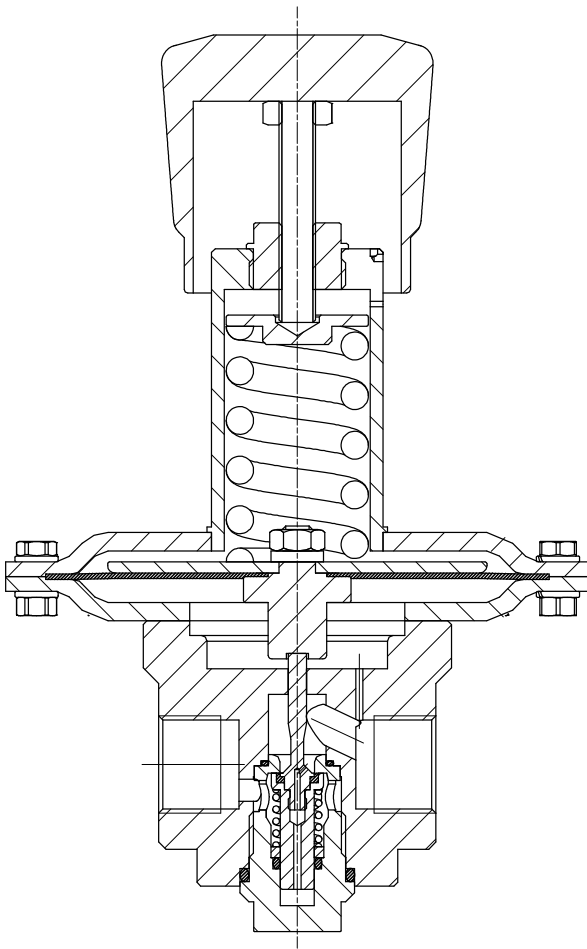
The general temperature range of the regulator is -50 / 200 °C, but could be limited due to the used sealing materials.

| | |
|------------|--------------|
| NBR seals | -35 / 130 °C |
| FKM seals | -20 / 200 °C |
| EPDM seals | -50 / 120 °C |



Springloaded Pressure Regulator

Model – GRT20S-16



Features

The model is part of the GRT20S line and has a large diaphragm to handle pressures below 3 bar accurately.

For a leak-tight and accurate shut-off, the seat material is rubber. The valve is a balanced valve construction to assure an excellent performance.

Options

See for the options the datasheet of the GRT20S.

Design pressure

The diaphragm covers come with a limitation of the design pressure.

The regulator has a design pressure of 16 bar for the inlet and outlet side.

Typenumber explanation

Example : GRT20S - 16N3 - SSNN

| model | design pressure | connections | adjustable | material | seat | seals | options |
|--------|-----------------|---------------|-------------|------------|-----------|-----------|------------------------------|
| GRT20S | 16 : 16 bar | N : 3/4" NPT | 1 : 0-1 bar | SS SS 316L | N nitrile | N nitrile | G1 one extra gaugeport |
| | | B : 3/4" BSPP | 3 : 0-3 bar | | NBR | NBR | |
| | | | | | V viton | V viton | |
| | | | | | FKM | FKM | |
| | | | | | E EPDM | E EPDM | L locking cap |
| | | | | | | | xxx codes for special option |

All regulators are marked with a unique ID number, the exact configuration of the regulator is stored in this ID number. Always mention the ID number in case you need spare parts.