

Springloaded Pressure Regulator

Model – GRT40S-16

Description

The GRT40S-16 springloaded pressure regulator reduces the supply pressure on the inlet side to a controlled pressure on the outlet side.

Specifications

Inlet pressure	16 bar max.
Adjustable	0-2 bar
Connections	1 1/2" NPT or 1 1/2" BSPP
Seat diameter	16.5 mm
Cv / Kv	Cv 5.5 / Kv 4.7

Fluids

This pressure regulator is suitable for gases only.



Materials

The regulator is made out of barstock stainless steel material.

Body	ss 316L
Springhousing	ss 316L
Valve	ss 316L
Seat	NBR, FKM or EPDM
Valve spring	ss 316
Setspring	ss 302
O-rings / diaphragm	NBR, FKM or EPDM

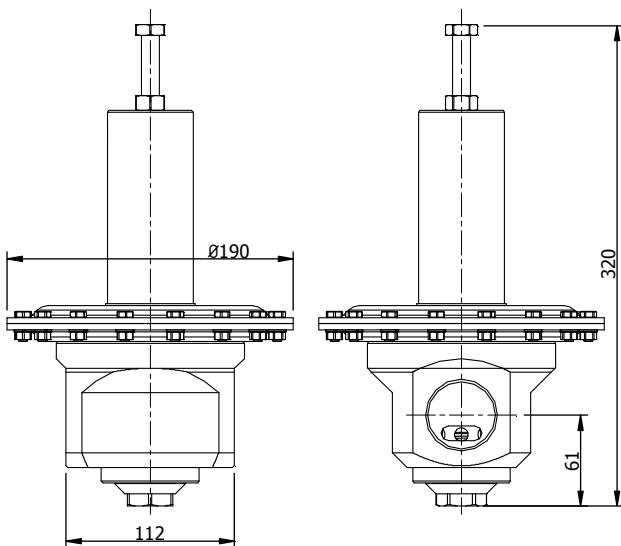
Other materials available on request.

All metal parts are marked with a traceable batch number. Material certificates are available on request.

Temperature

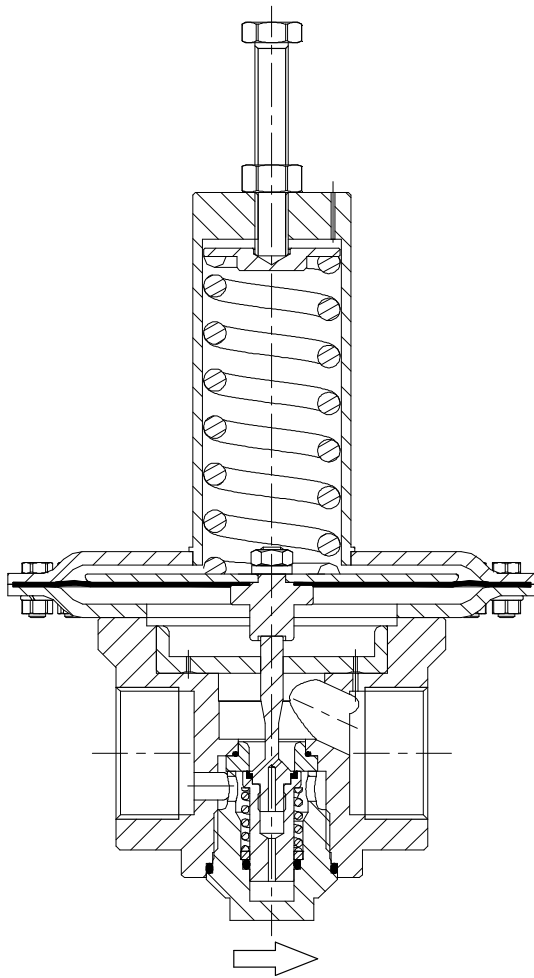
The general temperature range of the regulator is -50 / 200 °C, but could be limited due to the used sealing materials.

NBR seals	-35 / 130 °C
FKM seals	-20 / 200 °C
EPDM seals	-50 / 120 °C



Springloaded Pressure Regulator

Model – GRT40S-16



Features

The model is part of the GRT40S line and has a large diaphragm to handle pressures below 3 bar accurately.

For a leak-tight and accurate shut-off, the seat material is rubber. The valve is a balanced valve construction to assure an excellent performance.

Options

See for the options the datasheet of the GRT40S.

Design pressure

The diaphragm covers come with a limitation of the design pressure.

The regulator has a design pressure of 16 bar for the inlet and outlet side.

Typenumber explanation

Example : GRT40S - 16N1 - SSNN

model	design pressure	connections	adjustable	material	seat	seals	options
GRT40S	16 : 16 bar	N : 1 1/2" NPT B : 1 1/2" BSPP	1 : 0-1 bar 3 : 0-3 bar	SS SS 316L	N nitrile NBR V viton FKM E EPDM	N nitrile NBR V viton FKM E EPDM	L locking cap xxx codes for special option

All regulators are marked with a unique ID number, the exact configuration of the regulator is stored in this ID number. Always mention the ID number in case you need spare parts.